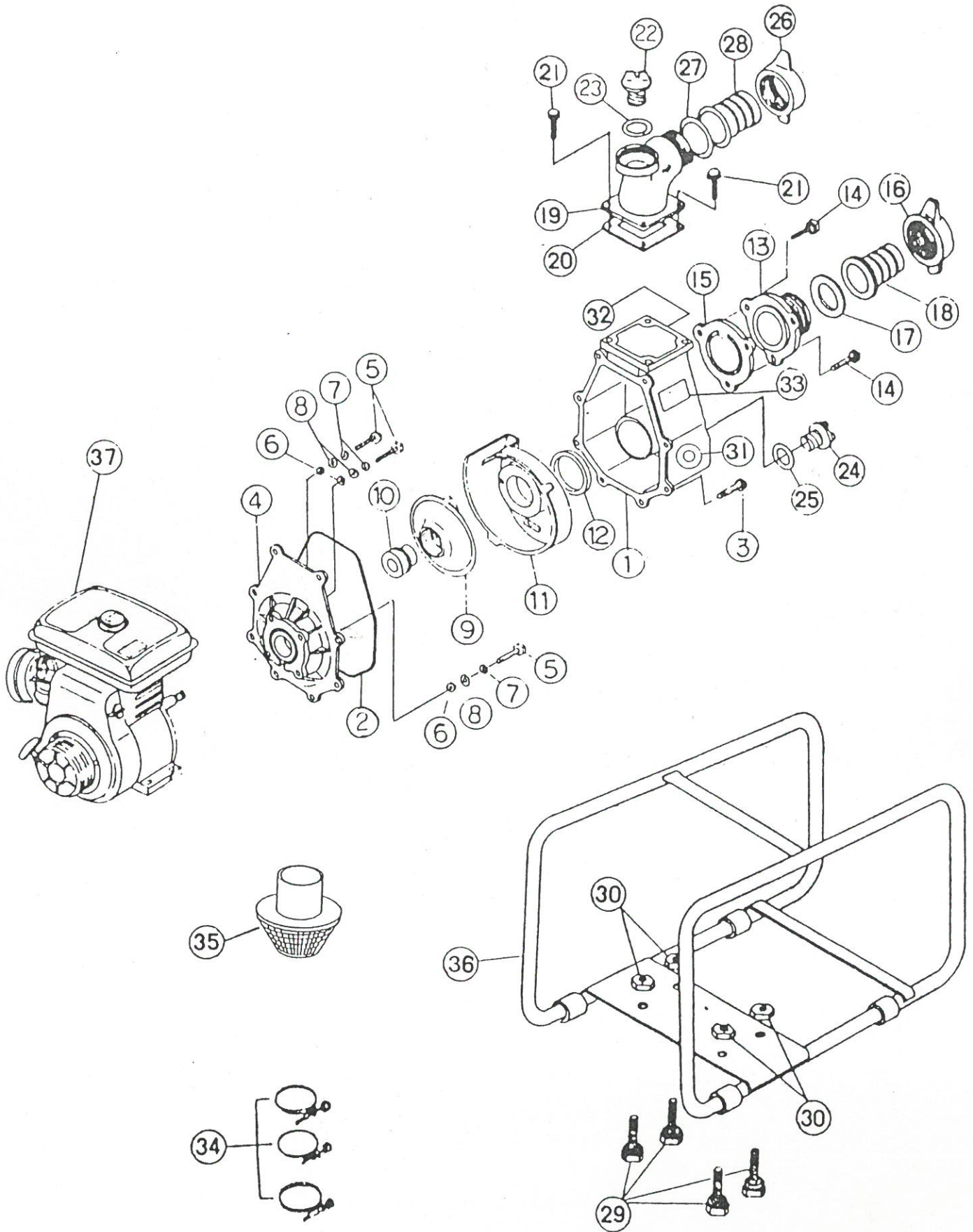


# EXPLODED VIEW

**MARUNAKA .LTD.**  
OVERSEAS DIVISION

MODEL : MEP-50



## MEP-50 PARTS &amp; F.O.B PRICE

NØ.	REF. NØ	PARTS NØ	PARTS NAME	QTY
001	001	504-001	CASING	1
002	002	502-002	PACKING (CASING)	1
003	003	501-014	BØLT (M8 X 25)W/S.W	4
004	004	502-004	CASING COVER	1
005	005	501-005	BØLT (M8 X 48)	4
006	006	501-006	SEAL PACKING	4
007	007	501-007	WASHER SPRING	4
008	008	501-008	WAHSER	4
009	009	501-009	IMPELLER	1
010	010	501-010	MECHANICAL SEAL	1
012	011	501-011	INNER CASING	1
013	012	501-012	PACKING(INNER CASING)	1
014	013	501-013	VLAVE CASE	1
015	014	501-014	BØLT(M8 X 25) W/S.W	3
016	015	501-015	CHECK VALVE	1
017	016	501-016P	HØSE COUPLING HANDLE(ABS)	1
018	017	501-017	PACKING (COUPLING)	1
019	018	501-018P	HØSE COUPLING (ABS)	1
020	019	501-019	BEND	1
021	020	501-020	PACKING (BEND)	1
022	021	501-014	BØLT (M8 X 25) W/S.W	4
023	022	501-021	PLUG	1
024	023	501-022	PACKING (PLUG)	1
025	024	501-021	PLUG	1
026	025	501-022	PACKING (PLUG)	1
027	026	501-016P	HØSE COUPLING HANDLE(ABS)	1
028	027	501-017	PACKING (COUPLING)	1
029	028	501-018P	HØSE COUPLING (ABS)	1
030	029	501-023	BØLT (M8 X 40) W/S.W	4
031	030	501-024	FLANGE NUT (M8)	4
032	031	501-025	NAME PLATE	1
033	032	501-026	CAUTION PLATE	1
034	033	501-027	CAPACITY PLATE	1
035	034	501-028	HØSE BAND	3
036	035	505-029	STRAINER	1
037	036	501-030	FRAME	1
038	037		ENGINE	1

**MARUNAKA,LTD.**  
OVERSEAS DIVISION

JUN. 17. 1993